

Pokrętła gwiaździste podobne do DIN 6336, gwint wewnętrzny z pokrywą, forma K

Opis artykułu/ilustracje produktu



Opis

Materiał:

Czarny termoplast, tulejka – stal.

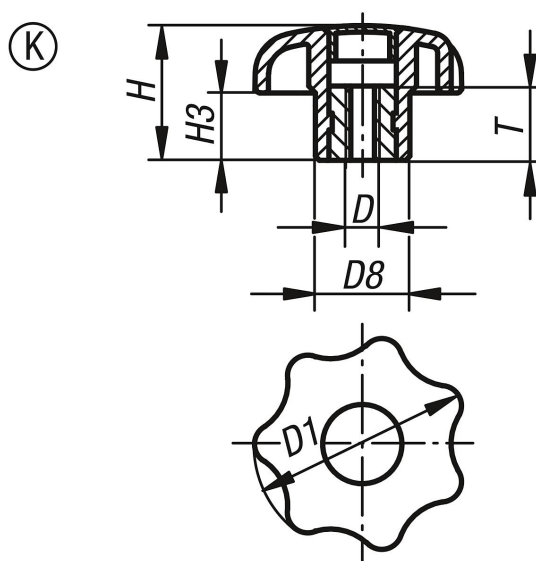
Wersja:

Tulejka ocynkowana i pasywowana na niebiesko.

Na zapytanie:

Inne kolory wzgl. napisy jak np. logo firmy lub symbol.

Rysunki



Przegląd artykułów

| Nr Zamówienia | Forma | Kolor pokrywy | D | D1 | D8 | H | H3 | T |
|---------------|-------|---------------------|----|----|----|----|----|----|
| K0155.204 | K | czarny | M4 | 25 | 12 | 16 | 8 | 10 |
| K0155.2045 | K | jasnoszary RAL 7035 | M4 | 25 | 12 | 16 | 8 | 10 |
| K0155.2046 | K | czerwony RAL 3020 | M4 | 25 | 12 | 16 | 8 | 10 |
| K0155.2047 | K | żółty RAL 1021 | M4 | 25 | 12 | 16 | 8 | 10 |
| K0155.205 | K | czarny | M5 | 25 | 12 | 16 | 8 | 10 |
| K0155.2055 | K | jasnoszary RAL 7035 | M5 | 25 | 12 | 16 | 8 | 10 |
| K0155.2056 | K | czerwony RAL 3020 | M5 | 25 | 12 | 16 | 8 | 10 |
| K0155.2057 | K | żółty RAL 1021 | M5 | 25 | 12 | 16 | 8 | 10 |
| K0155.2061 | K | czarny | M6 | 25 | 12 | 16 | 8 | 10 |
| K0155.20615 | K | jasnoszary RAL 7035 | M6 | 25 | 12 | 16 | 8 | 10 |
| K0155.20616 | K | czerwony RAL 3020 | M6 | 25 | 12 | 16 | 8 | 10 |
| K0155.20617 | K | żółty RAL 1021 | M6 | 25 | 12 | 16 | 8 | 10 |
| K0155.2051 | K | czarny | M5 | 32 | 14 | 20 | 10 | 10 |
| K0155.20515 | K | jasnoszary RAL 7035 | M5 | 32 | 14 | 20 | 10 | 10 |
| K0155.20516 | K | czerwony RAL 3020 | M5 | 32 | 14 | 20 | 10 | 10 |
| K0155.20517 | K | żółty RAL 1021 | M5 | 32 | 14 | 20 | 10 | 10 |
| K0155.206 | K | czarny | M6 | 32 | 14 | 20 | 10 | 10 |
| K0155.2065 | K | jasnoszary RAL 7035 | M6 | 32 | 14 | 20 | 10 | 10 |
| K0155.2066 | K | czerwony RAL 3020 | M6 | 32 | 14 | 20 | 10 | 10 |
| K0155.2067 | K | żółty RAL 1021 | M6 | 32 | 14 | 20 | 10 | 10 |
| K0155.208 | K | czarny | M8 | 40 | 18 | 25 | 13 | 14 |
| K0155.2085 | K | jasnoszary RAL 7035 | M8 | 40 | 18 | 25 | 13 | 14 |

Pokrętła gwiaździste podobne do DIN 6336, gwint wewnętrzny z pokrywą, forma K

Przegląd artykułów

| Nr Zamówienia | Forma | Kolor pokrywy | D | D1 | D8 | H | H3 | T |
|---------------|-------|---------------------|-----|----|----|----|----|----|
| K0155.2086 | K | czerwony RAL 3020 | M8 | 40 | 18 | 25 | 13 | 14 |
| K0155.2087 | K | żółty RAL 1021 | M8 | 40 | 18 | 25 | 13 | 14 |
| K0155.2101 | K | czarny | M10 | 40 | 18 | 25 | 13 | 14 |
| K0155.21015 | K | jasnoszary RAL 7035 | M10 | 40 | 18 | 25 | 13 | 14 |
| K0155.21016 | K | czerwony RAL 3020 | M10 | 40 | 18 | 25 | 13 | 14 |
| K0155.21017 | K | żółty RAL 1021 | M10 | 40 | 18 | 25 | 13 | 14 |
| K0155.2081 | K | czarny | M8 | 50 | 22 | 32 | 17 | 14 |
| K0155.20815 | K | jasnoszary RAL 7035 | M8 | 50 | 22 | 32 | 17 | 14 |
| K0155.20816 | K | czerwony RAL 3020 | M8 | 50 | 22 | 32 | 17 | 14 |
| K0155.20817 | K | żółty RAL 1021 | M8 | 50 | 22 | 32 | 17 | 14 |
| K0155.210 | K | czarny | M10 | 50 | 22 | 32 | 17 | 14 |
| K0155.2105 | K | jasnoszary RAL 7035 | M10 | 50 | 22 | 32 | 17 | 14 |
| K0155.2106 | K | czerwony RAL 3020 | M10 | 50 | 22 | 32 | 17 | 14 |
| K0155.2107 | K | żółty RAL 1021 | M10 | 50 | 22 | 32 | 17 | 14 |
| K0155.2121 | K | czarny | M12 | 50 | 22 | 32 | 17 | 18 |
| K0155.21215 | K | jasnoszary RAL 7035 | M12 | 50 | 22 | 32 | 17 | 18 |
| K0155.21216 | K | czerwony RAL 3020 | M12 | 50 | 22 | 32 | 17 | 18 |
| K0155.21217 | K | żółty RAL 1021 | M12 | 50 | 22 | 32 | 17 | 18 |
| K0155.2102 | K | czarny | M10 | 63 | 26 | 40 | 21 | 14 |
| K0155.21025 | K | jasnoszary RAL 7035 | M10 | 63 | 26 | 40 | 21 | 14 |
| K0155.21026 | K | czerwony RAL 3020 | M10 | 63 | 26 | 40 | 21 | 14 |
| K0155.21027 | K | żółty RAL 1021 | M10 | 63 | 26 | 40 | 21 | 14 |
| K0155.212 | K | czarny | M12 | 63 | 26 | 40 | 21 | 18 |
| K0155.2125 | K | jasnoszary RAL 7035 | M12 | 63 | 26 | 40 | 21 | 18 |
| K0155.2126 | K | czerwony RAL 3020 | M12 | 63 | 26 | 40 | 21 | 18 |
| K0155.2127 | K | żółty RAL 1021 | M12 | 63 | 26 | 40 | 21 | 18 |
| K0155.216 | K | czarny | M16 | 63 | 26 | 40 | 21 | 18 |
| K0155.2165 | K | jasnoszary RAL 7035 | M16 | 63 | 26 | 40 | 21 | 18 |
| K0155.2166 | K | czerwony RAL 3020 | M16 | 63 | 26 | 40 | 21 | 18 |
| K0155.2167 | K | żółty RAL 1021 | M16 | 63 | 26 | 40 | 21 | 18 |